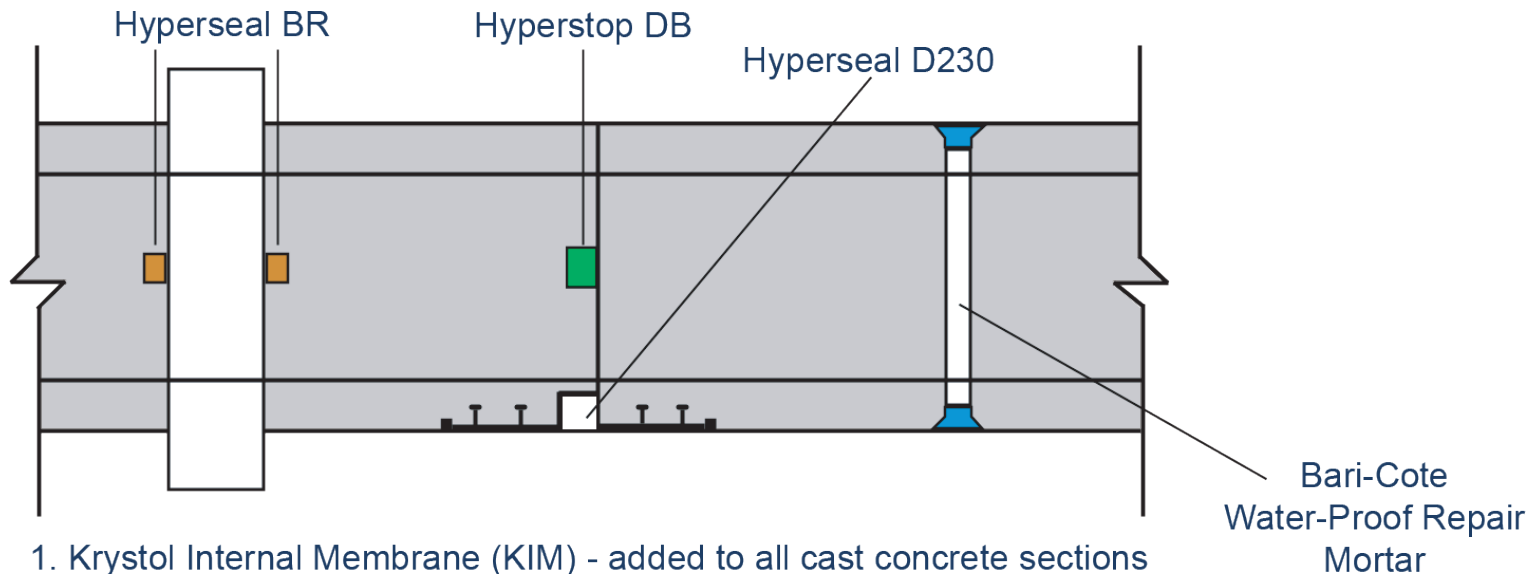




PROACTIVE SOLUTIONS

DETAILING WATERPROOF CONCRETE



1. Krystol Internal Membrane (KIM) - added to all cast concrete sections
2. Hyperstop DB - Hydrophilic waterstop installed to construction joints
3. Hyperseal D230 - externally placed PVC waterstop profile installed to construction joints
4. Hyperseal BR - Hydrophilic sticky - back waterstop wrapped around pipe penetrations or similar
5. Bari-Cote waterproof repair mortar for tie-bolt holes and other imperfections

Not To Scale

Please Note: All Information Expressed In This Document Is General & Should Be Consulted By KRYFIX On A Project By Project Basis To Ensure The Advice Is Correct

