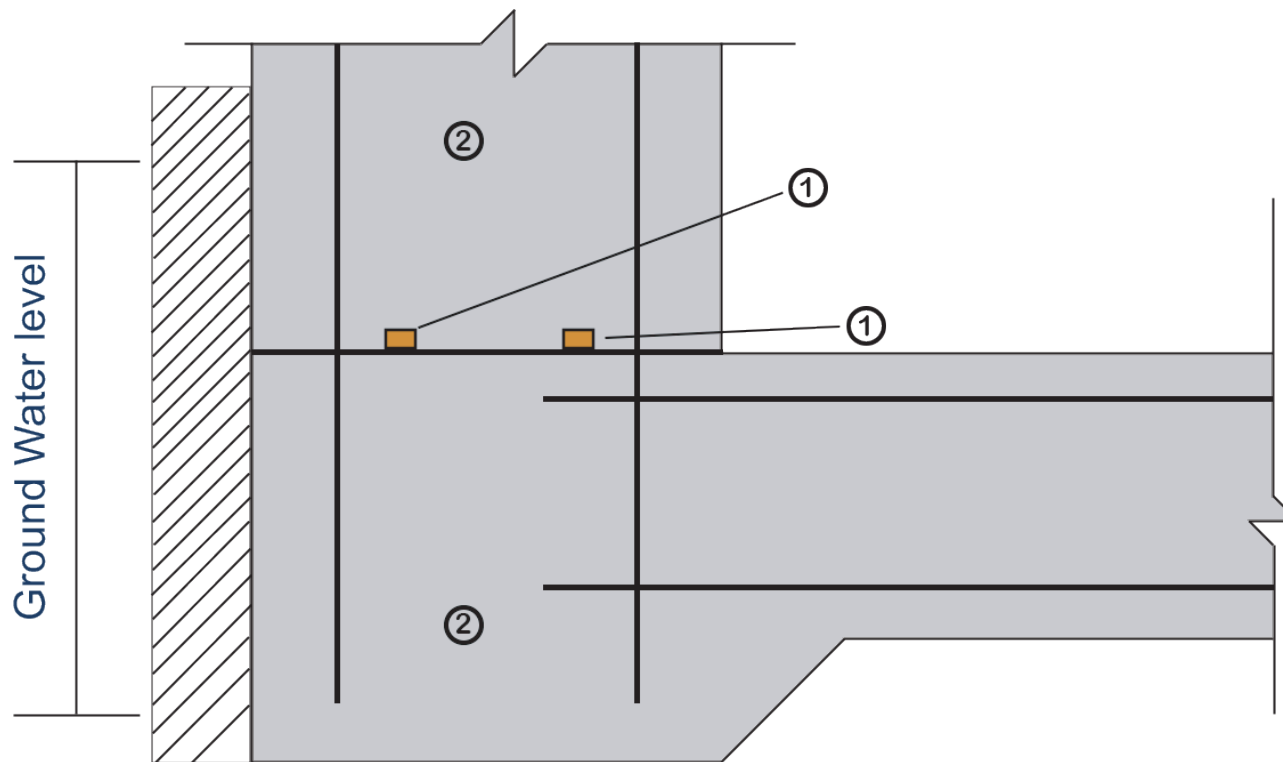




PROACTIVE SOLUTIONS

# LIFT-PIT RETENTION TANK



- ① Hyperseal BR2510 Waterstop Joint Treatment
- ② Krystol KIM Admixture Added To Walls & Floor Of Pits

Not To Scale

Please Note: All Information Expressed In This Document Is General & Should Be Consulted By KRYFIX On A Project By Project Basis To Ensure The Advice Is Correct



WWW.KRYFIX.COM.AU



1800 425 349



7/60 BOX RD TAREN POINT  
NSW 2229