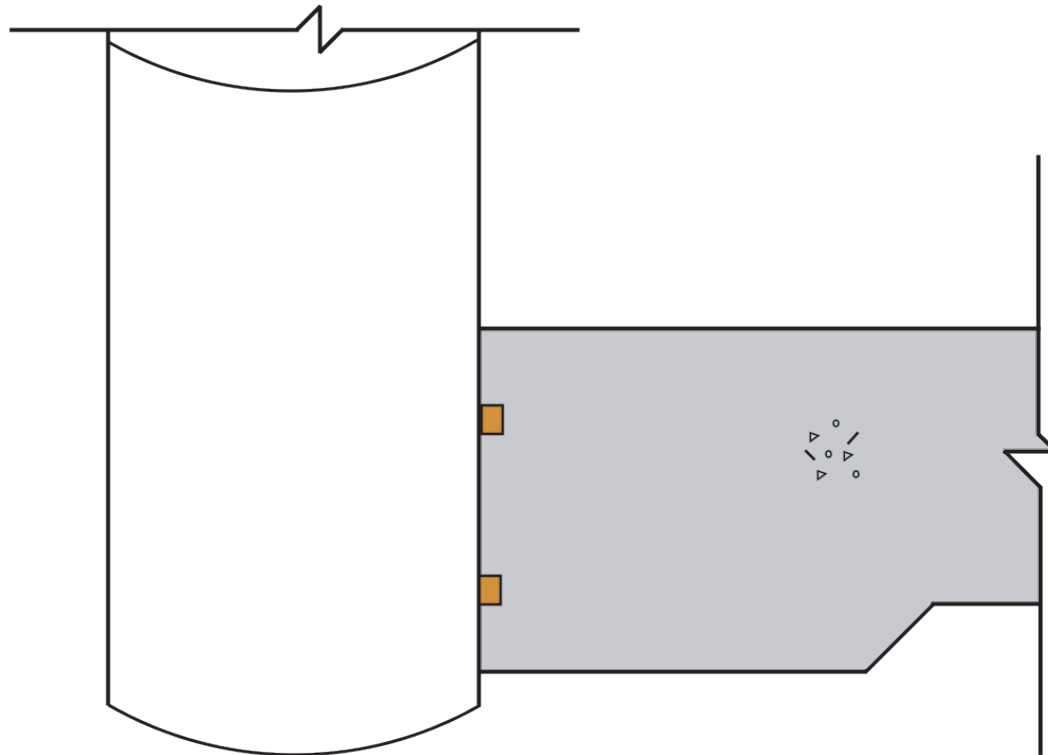




PROACTIVE SOLUTIONS

PERIMETER CSM WALLING - SLAB JOINT



Hyperstop DB Hydrophilic Waterstop
installed in two runs

Not To Scale

Please Note: All Information Expressed In This Document Is General & Should Be Consulted By KRYFIX On A Project By Project Basis To Ensure The Advice Is Correct



WWW.KRYFIX.COM.AU



1800 425 349



7/60 BOX RD TAREN POINT
NSW 2229