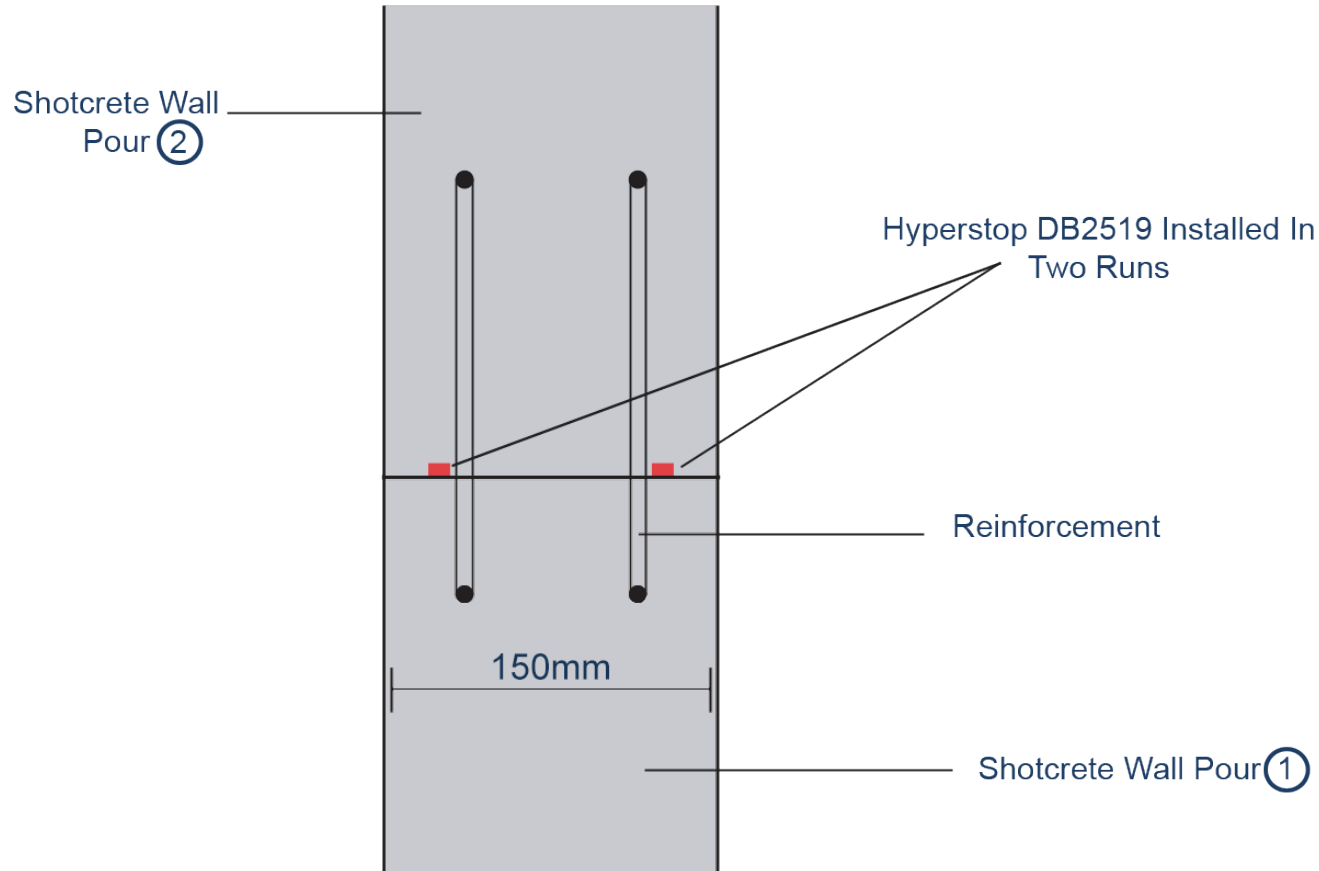




PROACTIVE SOLUTIONS

SHOTCRETE WALL JOINT, VERTICAL - HORIZONTAL JOINT



NOTE: The Joint Must Be Clean, Flat & Finished With A Trowel To Be Able To Accept Waterstop, Concrete Dags Must Be Removed By Others First.

Not To Scale

Please Note: All Information Expressed In This Document Is General & Should Be Consulted By KRYFIX On A Project By Project Basis To Ensure The Advice Is Correct



WWW.KRYFIX.COM.AU



1800 425 349



7/60 BOX RD TAREN POINT
NSW 2229