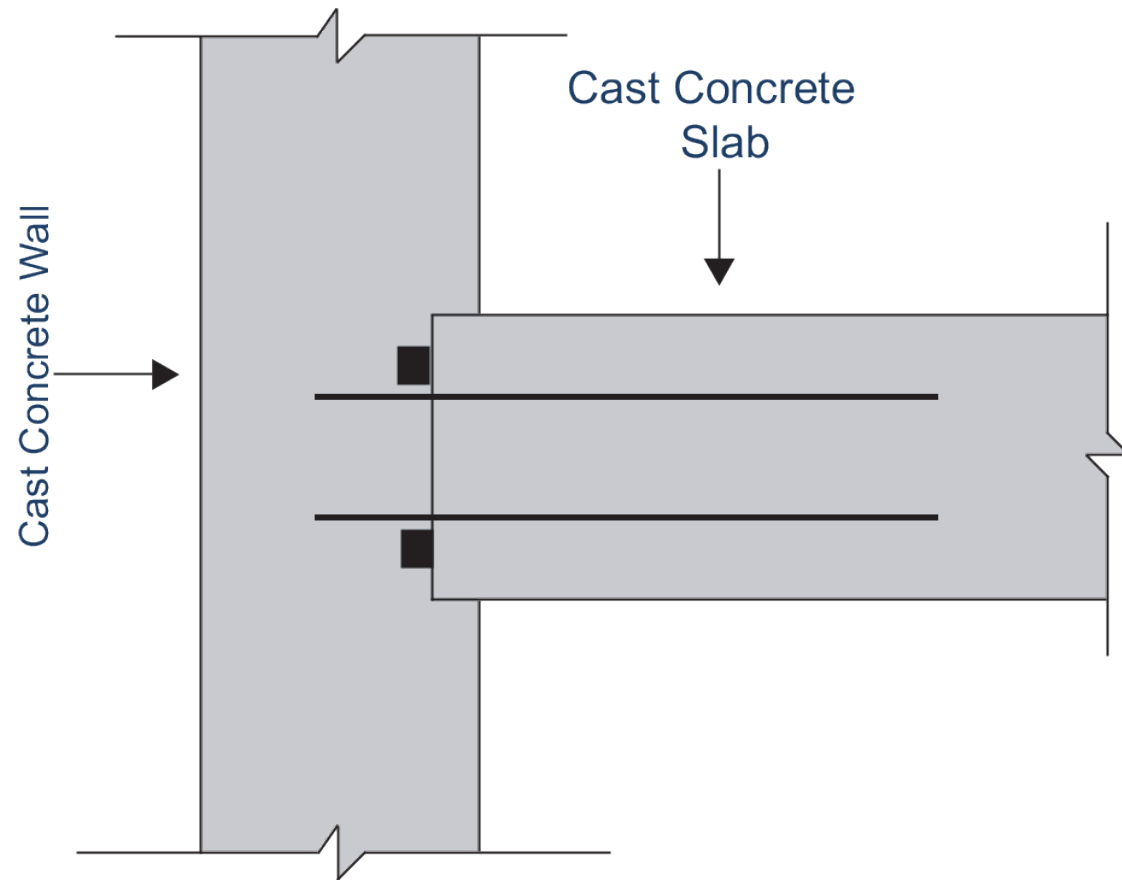




PROACTIVE SOLUTIONS

WALL/FLOOR SECTION



■ — Hyperstop DB2519
OR
Hyperseal BR2510
waterstop joint

Not To Scale

Please Note: All Information Expressed In This Document Is General & Should Be Consulted By KRYFIX On A Project By Project Basis To Ensure The Advice Is Correct

