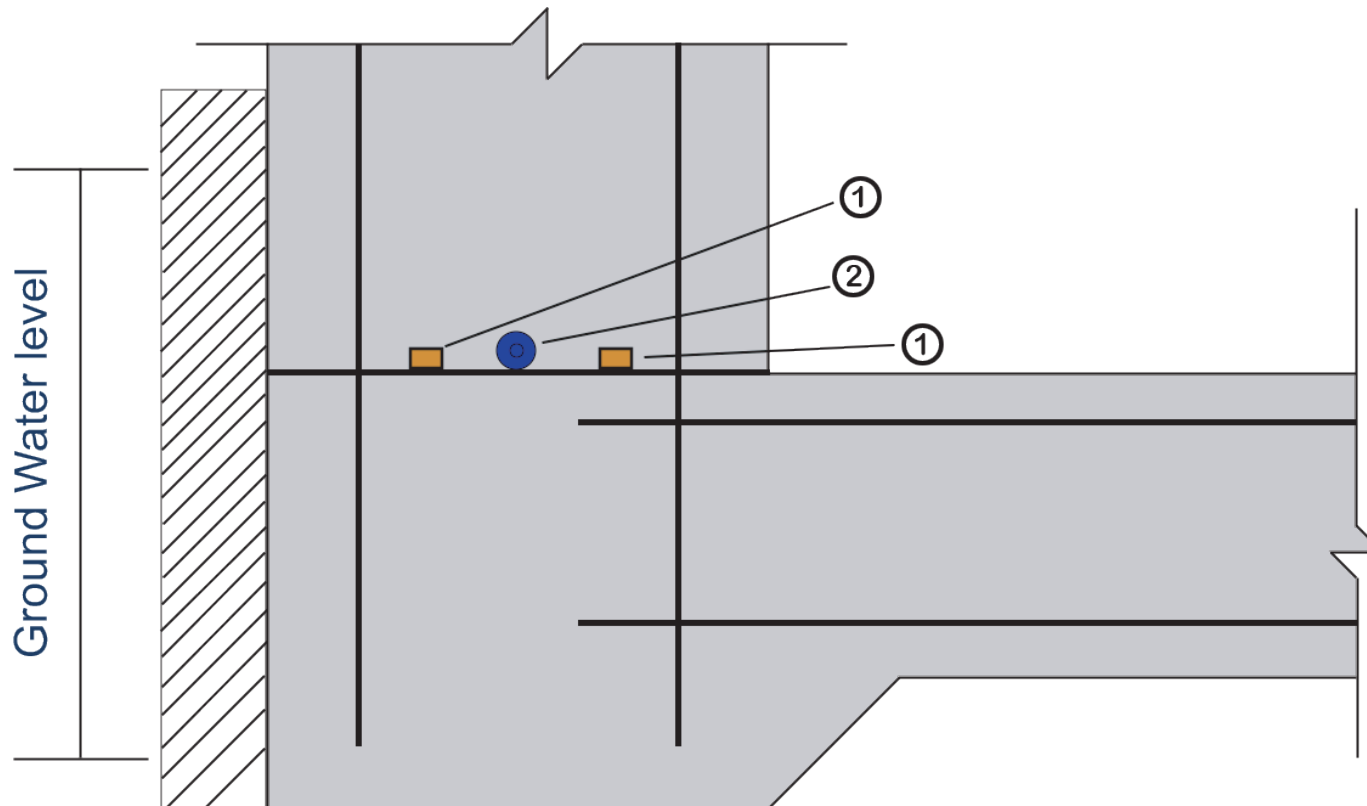




PROACTIVE SOLUTIONS

WALL/FLOOR JOINT - HYDROSTATIC PRESSURE



- ① Hyperseal BR2510 waterstop joint treatment
- ② Fuko Re-Injectable waterstop hose

Not To Scale

Please Note: All Information Expressed In This Document Is General & Should Be Consulted By KRYFIX On A Project By Project Basis To Ensure The Advice Is Correct



WWW.KRYFIX.COM.AU



1800 425 349



7/60 BOX RD TAREN POINT
NSW 2229